



# LEGEND™ Heavy-Duty 36" (914mm) Gas Range

Item No. \_\_\_\_\_

Project \_\_\_\_\_

Quantity \_\_\_\_\_

## (-4E) Top Series



Model 136-4E

### SHORT/BID SPECIFICATION

Range shall be a Montague **Legend** Model [Specify one]:

- 136-4E**, with front-vented 40,000 BTU/hr conventional oven with counterweighted door, porcelainized steel interior, three-position rack guides and one wire pan rack standard
- V136-4E**, with indirect-fired 45,000 BTU/hr convection oven with counterweighted door, porcelainized steel interior, five-position rack guides and three wire pan racks standard
- 36-4E**, with open front cabinet base with two shelves;
- M36-4E**, with 28" (711mm) high modular stand with stainless steel tubular legs;

...a 36" (914mm) wide heavy-duty gas-fired unit with one Even-Heat 20,000 BTU/hr 12" (305mm) wide solid hot top with one-piece cast iron plate; plus two 12" (305mm) heavy-duty cast iron, precision-ground open top grate, over 30,000 BTU/hr lift off star burners, provided with individual burner controls and automatic standing pilots; with stainless steel front and exterior bottom, black painted sides and back, 4" (102mm) high flue riser and 3" (76mm) deep front rail standard; plus all the features listed and options/accessories checked:

### RANGE TOP FEATURES:

**One 12" wide x 31" deep (305 x 787mm) Hot Top positioned left, with:**

- Heavy-duty cast iron precision-ground plate
- Cast iron EVEN HEAT 20,000 BTU/hr burner
- Heat transfer studs cast in plate bottom
- 2" (51mm) side and front flange isolate heat under plate
- Insulating partition between top sections

**Two 12" wide x 31" deep (305 x 787mm) open burner tops, positioned right, with:**

MODEL GUIDE		
Model No.	Base Style/Type	-4E Range Top
136-4E	With Standard Oven	
V136-4E	With Convection Oven	
36-4E	With Cabinet Base	
M36-4E	With Modular Stand	

- Heavily ribbed cast iron, surface-ground top grates
- Two large diameter 30,000 BTU/hr lift off star burners with raised ports
- Automatic, standing pilots
- Drip pan positioned under open burners

### STANDARD (136-4E MODEL) OVEN FEATURES:

- 26" wide x 28" deep x 15" high (660 mm x 711 mm x 381 mm) cooking compartment
- Accepts 18" x 26" (457 mm x 660 mm) pans sideways or lengthwise
- Front-venting oven design for more even cooking
- Heavy-duty counterweighted oven door — no springs
- Three-position adjustable nickel-plated rack supports, with one rack standard
- Interior panels and door porcelain lined for long life & easy cleaning
- Low-to-500°F (260°C) thermostat mounted in insulated cool zone
- 40,000 BTU/hr cast iron burner with automatic ignition safety pilot

### CONVECTION (V136-4E MODEL) OVEN FEATURES:

- 26" wide x 22-1/4" deep x 15" high (660 x 565 x 381mm) cooking compartment
- Muffled, indirect fired design with blower, for fast-even cooking
- Heavy duty counterweighted oven door — no springs
- Five-position adjustable nickel-plated rack supports, with three racks standard
- Interior panels and door porcelain lined for long life & easy cleaning
- Low-to-500°F (260°C) thermostat mounted in insulated cool zone
- 45,000 BTU/hr cast iron burner with automatic ignition safety pilot
- 6' (1829mm) cord with 3-prong plug (grounding NEMA 5-15P)

### STANDARD CONSTRUCTION FEATURES:

- Satin finish stainless steel front and exterior bottom with 4" (76mm) deep front rail
- Other surfaces painted black with electrolytic zinc undercoating
- Stainless steel 4" (102mm) rear flue riser standard
- 6" (152mm) adjustable stainless steel legs standard (Except M36-4E Model)
- 28" (711mm) stainless steel tubular legs standard with M36-4E Model
- Cabinet base with sides, back panel and two shelves on 36-4E Model
- 1-1/4" NPT front gas manifold with 1/2 union on each end

### AGENCY APPROVALS:

- NSF Listed
- ETL Design Certified to ANSI Z83.11 • CSA 1.8
- CE Approved • EN 203-1



HDS-12 [Rev. 1/12]

Item No. \_\_\_\_\_

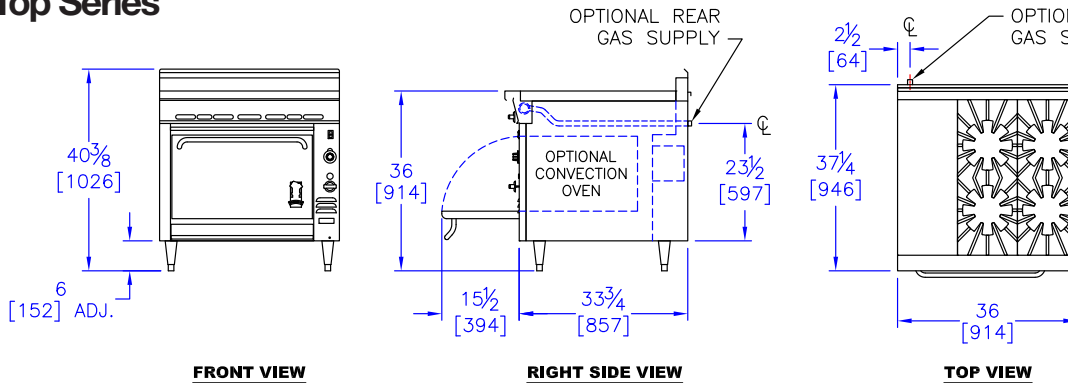
Project \_\_\_\_\_

Quantity \_\_\_\_\_

# LEGEND™ Heavy-Duty 36" (914mm) Gas Range

## (-4E) Top Series

Dimensions in brackets are millimeters



### OPTIONS GUIDE:

#### Open Burner Top Section:

Front 30,000 BTU/hr lift off star burner with a rear solid hot top 15,000 BTU/hr [-59], positioned:

- Right  Center  Right & Center

Cast Iron Ribbon Grate (for use with 20,000 BTU/hr burners only) positioned:

- Right (1)  Center (1)  Right & Center (2)

20,000 BTU/hr lift off star burner, positioned:

- Left (2)  Center (2)  Left & Center (4)

42" (1067mm) range depth [Add Suffix: -40]

304 stainless steel burner box assembly

#### Finish:

- Stainless steel left side panel  
 Stainless steel right side panel  
 Stainless steel back panel  
 Stainless steel shelves and sides [36-4E Cabinet Model]

#### Back Panels/Shelves:

- 18" (457mm) high back

- Single high shelf  
 Double high shelf  
 6" (152mm) wide stainless steel plate shelf  
 8" (203mm) wide stainless steel plate shelf

#### Oven:

- Cast iron oven bottom  
 Extra oven racks: \_\_\_\_ea.  
 650°F (343°C) finishing oven with cast iron oven bottom-*includes cast iron oven bottom option* [see Heavy Duty option page HDS-46]

#### Manifolds: [Left rear with pressure regulator]:

- 1" NPT up to 400,000 BTU/hr  
**Manifold Cap:**  left side  right side

#### Stainless Manifold Cover:

- left side  right side

#### Electrical (V136):

- 120 V, 1-phase, 60 Hz, 3.4 A (standard, with 6' (1.8m) NEMA 5-15P power cord)  
 208-240 V, 1-phase, 60 Hz, 1.7 A

**Controls:** \*Options include 304 stainless steel burner assembly with lift out burner pans (for open tops only) [see Heavy Duty option page HDS-46]

- \*Electronic rangetop pilot ignition; electronic oven control (V136 & 136 ovens only)  
 \*Flame failure rangetop safety valves  
 \*Electronic rangetop pilot ignition & flame failure rangetop safety valves; electronic oven control (V136 & 136 ovens only)

#### General:

- Casters — set of four 5" (127mm) casters  
 Flanged feet with holes

#### Flex Connector Kit [1"/NPT]:

- 3' (914mm)  4' (1219mm)

#### Security Options/Prison Package [Consult Factory]

#### International Approvals:

- CE - Conformance Européenne - EN203-1  
*Includes flame failure valve option*  
 Canadian Approval

### INSTALLATION REQUIREMENTS & SHIPPING INFORMATION

- Ovens & ranges must be installed in accordance with local codes or in their absence with the National Fuel Gas Code: ANSI Z223.1; Natural Fuel Gas Code: CAN/CGA-B149.1 or Propane Installation Code: CAN/CGA-B149.2, as applicable. Compliance with codes is the responsibility of the Owner and Installer.
- An adequate ventilation system is required. Refer to National Fire Protection Association Standard No. 96, "Vapor Removal from Cooking Equipment."
- This appliance is intended for commercial use by professionally trained personnel. NOT intended for Residential Use.
- Specify installation elevation: \_\_\_\_\_ if above 2,000 ft (610m).
- GAS INLET SIZE (All Models):** 1-1/4 (32mm) front manifold with 1/2 union on each end provided for battery connection. A properly sized gas pressure regulator must be furnished by the Installer.
- The incoming gas line pressure into the regulator should be 8"-14" w.c. for natural gas, and 12"-14" w.c. for propane gas.

Minimum Clearances	Combustible Construction	Noncombustible Construction
From Back Wall*	2" (51mm)	0"
Left & Right Side	15" (381mm)	0"
With 6" (152mm) legs	Suitable for installation on combustible floors	
<b>*V136 Models require 2" (51mm) motor clearance at rear</b>		

Specify Type of Gas:		<input type="checkbox"/> Natural	<input type="checkbox"/> Propane	Electrical	Shipping Weight	Shipping Class	Cube (Crated) ft <sup>3</sup> /m <sup>3</sup>
Gas Delivery Pressure:		6.0" WC	10.0" WC	120V			
Models:	Burners	BTU/hr* (kW)	BTU/hr* (kW)	Amperage			
136-4E	6	180,000 (52.8)	180,000 (52.8)	---	559 lbs (153 kg)	85	32/.9
V136-4E	6	185,000 (54.2)	185,000 (54.2)	3.4	580 lbs (263 kg)	85	32/.9
36-4E	5	140,000 (41)	140,000 (41)	---	380 lbs (172 kg)	85	27/.75
M36-4E	5	140,000 (41)	140,000 (41)	---	335 lbs (152 kg)	85	18/.5

Entry Clearance: 30" (762mm) uncrated, with legs removed [All Models]

Due to continuous product improvements, specifications are subject to change without notice.



## THE MONTAGUE COMPANY

1830 Stearman Avenue, Hayward, CA 94545

800 345-1830 • Fax: 510 785-3342

www.montaguecompany.com

