

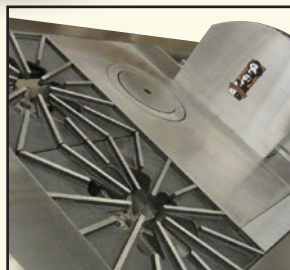


Since 1857

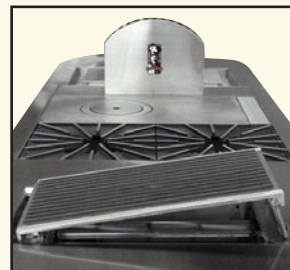
EXCALIBUR CRUSADER™ Heavy-Duty Cooking Suite



Plancha Grill



Open Burners & French Top



Tilting Chargrill



One-Piece Seamless Stainless Steel Top



THE MONTAGUE COMPANY

1830 Stearman Avenue, P.O. Box 4954, Hayward, CA 94540-4954 USA

Phone: +1.510.785.8822 • Fax: +1.510.785.3342

montaguecompany.com





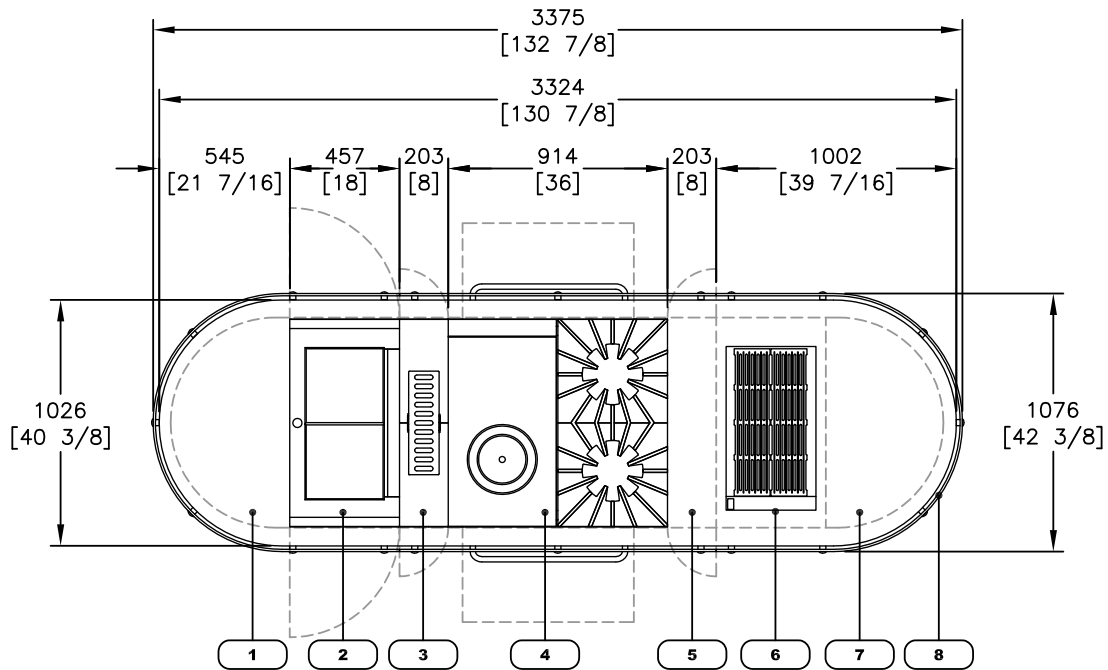
EQUIPMENT LIST		
TAG	UNIT	MODEL
1	END CABINET, OPEN STORAGE BASE	CUSTOM
2	RANGE, PLANCHA TOP, CABINET BASE	E18D-8PL
3	FLUE CABINET, w/GAS REGULATOR	8DS
4	RANGE, FRENCH TOP/OPEN BURNERS, PASS-THROUGH OVEN	E136DD-11
5	UTILITY CABINET, w/DOORS	8DS
6	BROILER, UNDER FIRED, RADIANT, COUNTER	UFLCDE-18R
7	END CABINET, OPEN STORAGE BASE	CUSTOM
8	S/S POLISHED BELLY BAR w/BUTTON NUT HARDWARE	CUSTOM

MATERIAL NOTES:

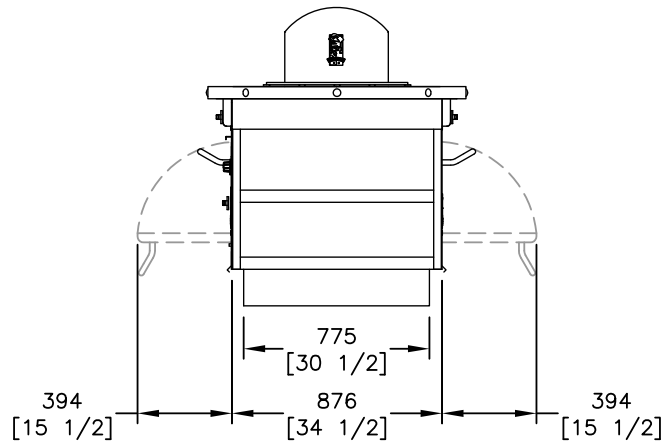
- 12 GA 304 S/S GUARDRAILS AND WORK SURFACES ARE STANDARD.
- 14 GA 304 S/S CURB BASE IS STANDARD.
- BELLY BAR TO BE 304 S/S POLISHED TO # 8 MIRROR FINISH.
BELLY BAR TO BE FASTENED WITH S/S BUTTON NUTS, P/N: 42991-0).
- OVEN HANDLES AND BURNER CONTROLS TO BE BLACK CHROME.
(BURNER CONTROL P/N: 46598-4)
- FLUE RISER TO BE PORCELAIN, BLACK FINISH.
- END CABINET SHELF EDGES TO BE POLISHED TO # 8 MIRROR FINISH.

UTILITIES:

GAS; NATURAL @ 15 mbar, 49.2 kW TOTAL.



TOP VIEW



RIGHT SIDE VIEW

THE MONTAGUE COMPANY

1830 Stearman Avenue, P.O. Box 4954, Hayward, CA 94540-4954 USA

Phone: +1.510.785.8822 • Fax: +1.510.785.3342

montaguecompany.com