



# LEGEND™ Heavy-Duty Gas 18" (457mm) Counter-Top Range Series

Item No. \_\_\_\_\_

Project \_\_\_\_\_

Quantity \_\_\_\_\_



Model C18-5A shown

## SHORT/BID SPECIFICATION

Counter-top Range shall be a Montague *Legend* Add-A-Unit Model [Specify one]:

- C18-5A**, one 18" x 31" (457 x 787mm) heavy-duty cast iron, precision ground open top grate, over two 30,000 BTU/hr lift off star burners; with an individual burner controls and automatic standing pilots;
- C18-9A**, with one 18" x 31" (457 x 787mm) French top with ring and cover in front of cast iron plate with one 35,000 BTU/hr burner;
- C18-9ASE**, with one 18" x 31" (457 x 787mm) solid cast iron precision ground hot top with EVEN-HEAT 20,000 BTU/hr burner with individual burner controls and automatic standing pilots;
- C18-S**, with 16 gauge stainless steel work top:

...an 18" (457mm) wide heavy-duty gas-fired unit with a stainless steel front, 4" (102mm) high flue riser, 3" (76mm) deep front rail and 4" (102mm) height-adjustable nickel finish legs standard; plus all the features listed and options/accessories checked:

## MODEL C18-5A TOPSIDE FEATURES:

**One 18" wide x 31" deep (457 x 787mm) open burner top, with:**

- Heavily ribbed cast iron, surface-ground top grate over:
- Two large-diameter 30,000 BTU/hr lift off star burners with raised ports.
- Automatic, standing pilots
- Drip pan positioned under open burners

## MODEL C18-9A TOPSIDE FEATURES:

**One 18" wide x 31" deep (457 x 787mm) French Top with:**

- Heavy cast iron precision ground plate with:
- Front-positioned removable ring & cover
- Front fired, banjo-type 35,000 BTU/hr burner
- Heat transfer studs cast in plate bottom
- 2" (51mm) side and front flanges isolate heat under plate
- Sloped, brick-lined flue for better heat transfer

## MODEL GUIDE

✓	Model No.	Overall Width	Range Top Configuration
	C18-5A	18" (457mm)	One 18" Open Top
	C18-9A	18" (457mm)	One French Top
	C18-9ASE	18" (457mm)	One 18" EVEN HEAT Hot Top
	C18-S	18" (457mm)	One piece Stainless Work Surface

## MODEL C18-9ASE TOPSIDE FEATURES:

**One 18" wide x 31" deep (457 x 787mm) Hot Top, with:**

- Heavy cast iron precision ground plate
- Two front fired EVEN HEAT 20,000 BTU/hr burners
- Heat transfer studs cast on plate bottoms
- 2" (51mm) side and front flanges isolate heat under plate

## MODEL C18-S TOPSIDE FEATURES:

- 18" x 34" (457 x 864mm) 16 gauge stainless steel work surface

## STANDARD BASE CONSTRUCTION:

- Satin finish stainless steel front, with 3" (76mm) deep front rail
- Stainless steel exterior bottom
- Stainless steel 4" (102mm) rear flue riser
- 4" (102mm) adjustable nickel finish legs
- 1-1/4" front gas manifold with 1/2 union on each end

## AGENCY APPROVALS

- NSF Listed
- ETL Design Certified to ANSI Z83.11 • CSA 1.8
- CE Approved • EN 203-1



HDSC-7 [Rev. 1/12]

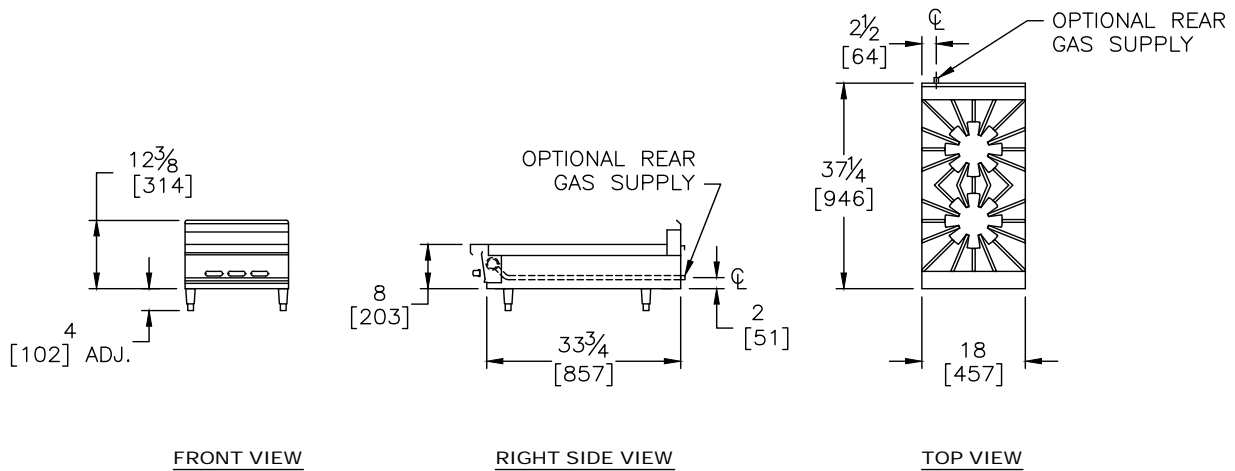
# LEGEND™ Heavy-Duty Gas 18" (457mm) Counter-Top Range Series

Item No. \_\_\_\_\_

Project \_\_\_\_\_

Quantity \_\_\_\_\_

Dimensions in brackets are millimeters



## OPTIONS GUIDE:

### Open Top Section:

- 304 stainless steel burner box assembly
- Ribbon Grate (C18-5 models only)[20,000 BTU burners required]
- 20,000 BTU/hr lift off Star Burner

### General:

- 42" (1067mm) Range Depth [Add to Suffix: -40]
- Equipment Stand [Consult Factory]

### Flex Connector Kit [1"] NPT:

- 3' (914mm)  4' (1219mm)

### Security Options/Prison Package

[Consult Factory]

### Panels & Shelves:

- Stainless steel back
- 18" (457mm) high riser
- 6" (152mm) wide stainless steel plate shelf

### Manifolds: [Left rear with pressure regulator]:

- 1" NPT up to 400,000 BTU/hr

### Manifold Cap:

- left side  right side

### Stainless Manifold Cover:

- left side  right side

### Controls: [see Heavy Duty option page HDS-44]

- Electronic rangetop pilot ignition
- Flame failure rangetop safety valves
- Electronic rangetop pilot ignition & flame failure rangetop safety valves

### Finish:

- Stainless steel back panel
- Stainless steel side panels:
  - left side  right side

### Special Finish

[Consult Factory]

### International Approvals:

- CE - Conformance Européenne - EN203-1  
*Includes flame failure valve option*
- AGA - Australian Gas Association - AS 4563  
*Includes flame failure valve option*
- Canadian Approval

## INSTALLATION REQUIREMENTS & SHIPPING INFORMATION

- Counter-Top Unit must be installed in accordance with local codes or in their absence with the National Fuel Gas Code: ANSI Z223.1; Natural Fuel Gas Code: CAN/CGA-B149.1 or Propane Installation Code: CAN/CGA-B149.2, as applicable. Compliance with codes is the responsibility of the Owner and Installer.
- An adequate ventilation system is required. Refer to National Fire Protection Association Standard No. 96, "Vapor Removal from Cooking Equipment."
- This appliance is intended for commercial use by professionally trained personnel. NOT intended for Residential Use.
- Specify installation elevation: \_\_\_\_\_ if above 2000 feet (610m).
- GAS INLET SIZE (All Models): 1-1/4" (32mm) front manifold with 1/2" union on each end provided for battery connection. A properly sized gas pressure regulator must be furnished by the Installer.
- The incoming gas line pressure into the regulator should be 8"-14" w.c. for natural gas, and 12"-14" w.c. for propane gas.

Minimum Clearances	Combustible Construction	Noncombustible Construction
From Back Wall	2" (51mm)	0"
Left & Right Side	6" (152mm)*	0"
With or without 4" (102mm) legs	Suitable for installation on non-combustible counters ONLY	
<b>*15" side clearance with open tops</b>		

Specify Type of Gas:		<input type="checkbox"/> Natural	<input type="checkbox"/> Propane	Shipping Weight	Shipping Class	Cube (Crated) ft <sup>3</sup> /m <sup>3</sup>
Manifold Pressure:		6.0" WC	10.0" WC			
Models:	Burners	BTU/hr (kW)	BTU/hr (kW)			
<b>C18-5</b>	2	60,000 (17.6)	60,000 (17.6)	158 lbs (72 kg)	85	5/.14
<b>C18-9A</b>	1	35,000 (10.3)	35,000 (10.3)	220 lbs (100 kg)	85	5/.14
<b>C18-9ASE</b>	2	40,000 (11.7)	40,000 (11.7)	192 lbs (87 kg)	85	5/.14
<b>C18-S</b>	none			110 lbs (50 kg)	85	5/.14

Due to continuous product improvements, specifications are subject to change without notice.



## THE MONTAGUE COMPANY

1830 Stearman Avenue, Hayward, CA 94545  
800 345-1830 • Fax: 510 785-3342  
www.montaguecompany.com

