



LEGEND™ Heavy-Duty Gas 24" (610mm) Counter-Top Range Series

Item No. _____

Project _____

Quantity _____



Model C24-559 shown

SHORT/BID SPECIFICATION

Counter-top Range shall be a Montague *Legend* Add-A-Unit Model [Specify one]:

- C24-5**, with two 12" x 31" (305 x 787mm) heavy cast iron, precision ground open top grates, each over two 30,000 BTU/hr lift off star burners, with individual burner controls and automatic standing pilots;
- C24-5S**, with four 12" x 15-1/2" (305 x 394mm) heavy cast iron, precision ground open top grates over 30,000 BTU/hr lift off (front) and 20,000 BTU/hr (rear step-up) star burners, with individual burner controls and automatic standing pilots;
- C24-559**, with two 12" x 31" (305 x 787mm) combination open burner/hot tops, with front heavy cast iron, precision ground open top grate, over a 30,000 BTU/hr star burner and two rear 15,000 BTU/hr solid cast iron hot tops, with individual burner controls and automatic standing pilots;
- C24-559S**, with four 12" x 31" (305 x 787mm) combination open burner/hot tops, with front heavy cast iron, precision ground open top grate, over a 30,000 BTU/hr lift off star burner and two rear step-up 15,000 BTU/hr solid cast iron hot tops, with individual controls and automatic standing pilots;
- C24-9E**, with two 12" x 31" (305 x 787mm) solid cast iron precision ground hot tops with EVEN-HEAT 20,000 BTU/hr burners with individual burner controls and automatic standing pilots;
- C24-9G**, with two 12" x 31" (305 x 787mm) solid cast iron precision ground hot tops with GRADIENT-HEAT 18,500 BTU/hr burners with individual burner controls and automatic standing pilots;
- C24-S**, 24" x 34" (610 x 864mm) with 16 gauge stainless steel work top:

...a 24" (610mm) wide heavy-duty gas-fired unit with a stainless steel front, 4" (102mm) high flue riser, 3" (76mm) deep front rail and 4" (102mm) high nickel finish height-adjustable legs standard; plus all the features listed and options/accessories checked:

MODEL C24-5 TOPSIDE FEATURES:

Two 12" wide x 31" deep (305 x 394mm) open burner tops, with:

- Heavily ribbed cast iron, surface-ground top grates over:
- Two large-diameter 30,000 BTU/hr lift off star burners with raised ports
- Automatic, standing pilots
- Drip pan positioned under open burners

MODEL GUIDE			
Model No.	Overall Width	Range Top Configuration	
C24-5	24" (610mm)	12" Open Tops	
C24-5S	24" (610mm)	Two 12" Open Tops, with rear step-up	
C24-559	24" (610mm)	Two Front Open Tops, Two Rear Hot Tops	
C24-559S	24" (610mm)	Two Hot Tops, Two rear step-up	
C24-9E	24" (610mm)	Two 12" EVEN HEAT Hot Tops	
C24-S	24" (610mm)	One piece Stainless Work Surface	

MODEL C24-5S TOPSIDE FEATURES

[SAME AS C24-5] WITH:

- Two 30,000 BTU/hr front lift off burners
- Two 20,000 BTU/hr rear burners that are elevated 4" (102mm)

MODEL C24-559 TOPSIDE FEATURES:

Two 12" wide x 15-1/2" deep (305 x 394mm) open burner tops in front, with:

- Heavily ribbed cast iron, surface-ground top grates
- Large diameter 30,000 BTU/hr lift off gas star burners with raised ports
- Individual controls and automatic, standing pilots
- Drip pans positioned under burners

Two 12" wide x 15-1/2" (305 x 394mm) deep Hot Tops in rear, with:

- Heavy cast iron precision ground plates
- 15,000 BTU/hr burners
- Individual controls and automatic, standing pilots

MODEL C24-559S TOPSIDE FEATURES

[SAME AS C24-559] PLUS:

- Rear hot tops are elevated 4" (102mm)

MODEL C24-9E TOPSIDE FEATURES:

Two 12" wide x 31" deep (305 x 787mm) Hot Tops, with:

- Heavy cast iron precision ground plate
- EVEN HEAT 20,000 BTU/hr burner
- Heat transfer studs cast in plate bottoms
- 2" (51mm) side and front flanges isolate heat under plate

MODEL C24-9G TOPSIDE FEATURES:

Two 12" wide x 31" deep (305 x 787mm) Hot Tops, with:

- Heavy cast iron precision ground plate
- Front fired GRADIENT HEAT 18,500 BTU/hr burner
- Heat transfer studs cast in plate bottoms
- 2" (51mm) side and front flanges isolate heat under plate

MODEL C24-S TOPSIDE FEATURES:

- 24" x 34" (610 x 864mm) 16 gauge stainless steel work surface

STANDARD BASE CONSTRUCTION:

- Satin finish stainless steel front, sides, with 3" (76mm) deep front rail
- Stainless steel exterior bottom
- Stainless steel 4" (102mm) rear flue riser
- 4" (102mm) adjustable nickel finish legs
- 1-1/4" front gas manifold with 1/2 union on each end

AGENCY APPROVALS

- NSF Listed
- ETL Design Certified to ANSI Z83.11 • CSA 1.8
- CE Approved • EN 203-1



HDCS-8 [Rev. 1/12]

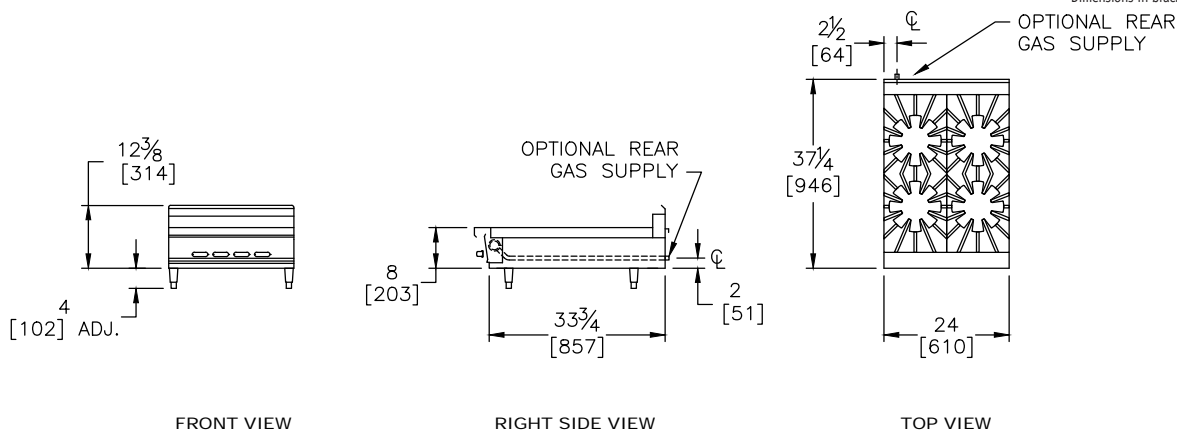
LEGEND™ Heavy-Duty Gas 24" (610mm) Counter-Top Range Series

Item No. _____

Project _____

Quantity _____

Dimensions in brackets are millimeters



OPTIONS GUIDE:

General:

- 42" (1067mm) Range Depth
- Stainless steel burner box assembly
- Equipment Stand [Consult Factory]

General:

- Flex Connector Kit** [1" NPT:
- 3' (914mm)
 - 4' (1219mm)

Panels & Shelves:

- Stainless steel back
- 18" (457mm) high riser
- 6" (152mm) wide stainless steel plate shelf

Special finish options

[Consult Factory]

Finish:

- Stainless steel back panel
- Stainless steel side panels:
 - left side
 - right side

Special Finish

[Consult Factory]

For Open Burner Top Sections Only:

- Cast Iron Ribbon Grates [Model C24-5 only] (requires 20,000 BTU burners)
- 20,000 BTU/hr lift off Star Burner
- 304 stainless steel burner box assembly

Manifolds: [Left rear with pressure regulator]:

- 1" NPT up to 400,000 BTU/hr

Manifold Cap:

- left side
- right side

Stainless Manifold Cover:

- left side
- right side

Controls: *Options include 304 stainless steel burner box assembly and lift out 304 stainless steel drip pans on open tops only. [see Heavy Duty option page HDS-44]

- *Electronic rangetop pilot ignition
- *Flame failure rangetop safety valves
- *Electronic rangetop pilot ignition & flame failure rangetop safety valves

International Approvals:

- CE - Conformance Européenne - EN203-1
Includes flame failure valve option
- AGA - Australian Gas Association - AS 4563
Includes flame failure valve option
- Canadian Approval

INSTALLATION REQUIREMENTS & SHIPPING INFORMATION

- Counter-Top Unit must be installed in accordance with local codes or in their absence with the National Fuel Gas Code: ANSI Z223.1; Natural Fuel Gas Code: CAN/CGA-B149.1 or Propane Installation Code: CAN/CGA-B149.2, as applicable. Compliance with codes is the responsibility of the Owner and Installer.
- An adequate ventilation system is required. Refer to National Fire Protection Association Standard No. 96, "Vapor Removal from Cooking Equipment."
- This appliance is intended for commercial use by professionally trained personnel. NOT intended for Residential Use.
- Specify installation elevation: _____ if above 2000 feet (610m).
- GAS INLET SIZE (All Models):** 1-1/4" (32mm) front manifold with 1/2" union on each end provided for battery connection. A properly sized gas pressure regulator must be furnished by the Installer.
- The incoming gas line pressure into the regulator should be 8"-14" w.c. for natural gas, and 12"-14" w.c. for propane gas.

Minimum Clearances	Combustible Construction	Noncombustible Construction
From Back Wall	2" (51mm)	0"
Left & Right Side	6" (152mm)*	0"
With or without 4" (102mm) legs	Suitable for installation on non-combustible counters ONLY	
*15" (381mm) side clearance with open tops		

Models:	Specify Type of Gas: Manifold Pressure: Burners	<input type="checkbox"/> Natural	<input type="checkbox"/> Propane	Shipping Weight	Shipping Class	Cube (Crated) ft ³ /m ³
		6.0" WC BTU/hr (kW)	10.0" WC BTU/hr (kW)			
C24-5	4	120,000 (35.2)	120,000 (35.2)	260 lbs (118 kg)	85	7/.2
C24-5S	4	100,000 (29.3)	100,000 (29.3)	260 lbs (118 kg)	85	7/.2
C24-559	4	90,000 (26.4)	90,000 (26.4)	260 lbs (118 kg)	85	7/.2
C24-559S	4	90,000 (26.4)	90,000 (26.4)	260 lbs (118 kg)	85	7/.2
C24-9E	2	40,000 (11.8)	40,000 (11.8)	236 lbs (107 kg)	85	7/.2
C24-S	none			130 lbs (81kg)	85	7/.2

Due to continuous product improvements, specifications are subject to change without notice.



THE MONTAGUE COMPANY

1830 Stearman Avenue, Hayward, CA 94545
800 345-1830 • Fax: 510 785-3342
www.montaguecompany.com



HDCS-8 [Rev. 1/12]